



55" HIGH BRIGHTNESS 5500 NIT LCD WITH NARROW BEZEL MODEL DS552LT6-1

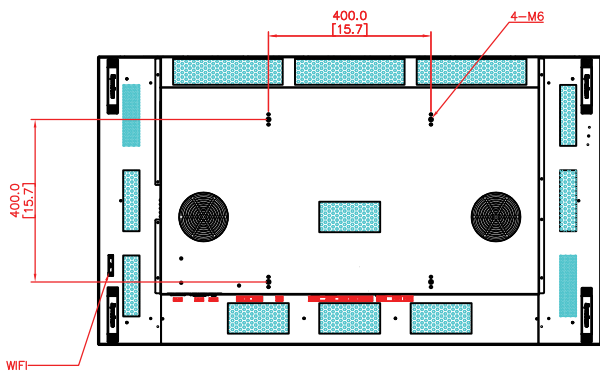
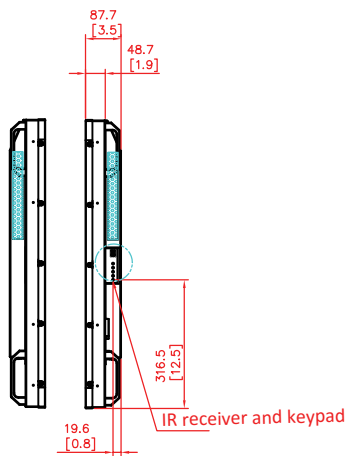
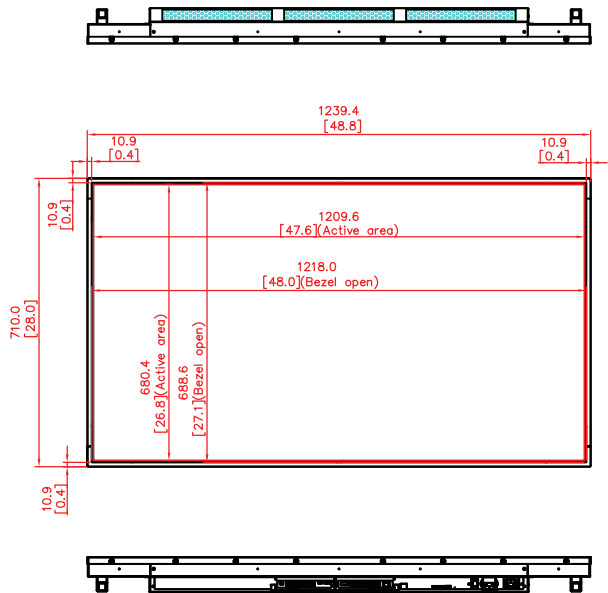
The DS552LT6-1 is a 55 inch ultra high brightness professional LCD with IPS technology. With a brightness rating of 5500 nits, this display features an LED back light for incredible, high contrast picture quality and low power consumption. The DS552LT6-1 features a 10.9 mm bezel, perfect for video wall applications in bright environments. The display features an integrated Android™ based media player with WiFi offering users a complete media platform, allowing playback of local files and USB/SD card media.

Screen image simulated.
Android is a trademark of Google Inc.
The Android robot is reproduced or modified from work created and shared by Google and used according to terms described in the Creative Commons 3.0 Attribution License.

Key Features

- 5500 nits Brightness
- Integrated Android Media Player
- LED Backlit
- Blackening Defect Free in Direct Sunlight
- 1920 x1080 Full HD Native Resolution
- 10.9 mm Bezel Width

55" HIGH BRIGHTNESS 5500 NIT LCD WITH NARROW BEZEL MODEL DS552LT6-1



PANEL

LCD Panel Type	54.64 inches LCD
Native Resolution	1920 x 1080
Backlight	LED
Brightness	5500 nit
Default Color Temperature	D65 (6500 K)
Contrast Ratio	3,000:1(static)
Color Depth	8 bit
Response Time	9 ms (typ)
Viewing Angle	178° / 178°
Light Life Time	100,000 hrs (typ.)
Blackening Defect Free	Up to 110°C (230°F)
Panel Surface	AR 1.5%, 2H

POWER

Power Supply	Internal
Rated Voltage	100 V ~ 240 V, 50 Hz / 60 Hz
Power On Mode	275 W (typ), 400 W (max)
Power Saving Mode	< 1 W
AC Out	< 100 W

MECHANICAL SPECS

Bezel Width (T/B/L/R)	10.9 / 10.9 / 10.9 / 10.9 mm
Cabinet Color	Black
Monitor Dimension (LxHxD, w/o stand)	1240 x 710 x 87.7 mm
Monitor Weight (set/package)	29.5 kg / 34.5 kg
VESA Mounting (dimension)	400 x 400 mm
Orientation	Portrait / Landscape

USER INTERFACE

Language	English
Daisy Chain	DVI, RS-232
Proof of Image Retention	Yes
Dimming Control (DCR)	Yes
Built-in Video Wall Support	Up to 15 x 15
ID Setting for Daisy Chain	Yes
On/Off Scheduling	Yes
Ambient Light Sensor	Yes
Total Turn-on time	Yes
Internal Temperature Sensor	Yes
Network Control	RS-232, LAN
OSD Menu Rotation	Yes
Carrying Handles	Yes

I/O PORTS

DVI-D	In (x1), Out (x1)
HDMI	In (x1)
DisplayPort	In (x1)
RS-232	In (x1), Out (x1)
RJ-45	In (x1)
Audio	In (x1), Out (x1)

ACCESSORIES

Included Accessories	Power Cord, Remote controller, Batteries, QSG, Extension Sensor Kit
----------------------	---

ENVIRONMENT

Operating Temperature	0° C ~ 45° C
Storage Temperature	-20° C ~ 60° C
Humidity	10% ~ 80% RH Non-condensing

INTERNAL PLAYER

Operating System	Android
Processor	ARM Cortex-A9 1.6 GHz, Quad Core CPU
On Chip Cache Memory	L2: 512 KB
Clock Speed	1.6 GHz
Main Memory Interface	1 GB DDR3/3L (1600 MHz)
Graphics	600M ARM Mali40MP4, 2D/3D graphic engine, supports OpenGL ES1.1/2.0, Open
Storage (FDM)	8 GB NAND Flash (2 GB occupied by OS, 6 GB available depending on total capacity)
Multimedia	H.264 encoder/decoder, MPEG-1/2/4, H.263, H.264 MVC, AVS, VC-1, VP8/6, RV
I/O Ports	USB 2.0, SD

CERTIFICATION

CE / FCC / ROHS	
-----------------	--

All specifications subject to change without notice.

20190522